



good energy

HIGHER SAFETY AND LESS CONSUMPTION WITH PROPERLY TESTED VEHICLES



Console a LED ben visibile da lontano, permette di lavorare agevolmente, dando una immagine moderna all'officina. Montaggio a parete. La scatola elettrica include la scheda elettronica dedicata con microprocessore e il pannello elettrico per il funzionamento dei rulli. Da abbinare ad un banco prova freni per auto e furgoni.

LED display, visible from far away, it allows easy testing and gives a modern look to the workshop. To be wall mounted. The electric box assembly includes a dedicated electronic board with microprocessor and the electrical switches to operate the roller tester. To be coupled with a roller brake tester for car and van.

Versione (da abbinare ad un banco a rulli)	Prova	Risultati
SPRT003D	2WD prova in automatico	Forza frenante + sbilanciamento
SPRT003D + VARRT003/4WDMAN (selettore manuale 2WD/4WD)	2WD/4WD prova in automatico	Forza frenante + sbilanciamento
SPRT003D + VARRT102/4WDAUT (selezione 2WD/4WD fatta automaticamente dal banco)	2WD/4WD prova in automatico	Forza frenante + sbilanciamento
SPRT003D + SRT056/003D (telecomando)	2WD/4WD con inizio a comando e gestione assi	Forza frenante + sbilanciamento + ovalizzazione
Come sopra + SRT138 (kit stampante) oppure SRT137 (kit per utilizzo stampante utente)		come sopra + report di stampa
SPRT003D + SRT056/003D (telecomando) + banco versione P (con pesa)	2WD/4WD con inizio a comando e gestione assi	Forza frenante + sbilanciamento + ovalizzazione + efficienza frenante
Come sopra + SRT138 (kit stampante) oppure SRT137 (kit per utilizzo stampante utente)		come sopra + report di stampa

Version (to be added to a roller tester)	Test	Result
SPRT003D	2WD automatic start	Braking force + unbalance
SPRT003D + VARRT003/4WDMAN (manual selector 2WD/4WD)	2WD/4WD automatic start	Braking force + unbalance
SPRT003D + VARRT102/4WDAUT (2WD/4WD selection made automatically by the brake tester)	2WD/4WD automatic start	Braking force + unbalance
SPRT003D + SRT056/003D (remote control)	2WD/4WD start with remote control and axle management	Braking force + unbalance + ovalisation
As above + SRT138 (printer kit) or SRT137 (kit for data transmission to user's printer)		as above + test result print-out
SPRT003D + SRT056/003D (remote control) + roller brake tester P version (with weighing system)	2WD/4WD start with remote control and axle management	Braking force + unbalance + ovalisation + brake efficiency
As above + SRT138 (printer kit) or SRT137 (kit for data transmission to user's printer)		as above + test result print-out



Inizio prova
Test start
Testbeginn



Risultati prova (forze frenanti e sbilanciamento)
Test results (brake forces and imbalance)
Testergebnisse (Bremskraft und Differenz)



Peso asse (versioni P)
Axle weight (P version)
Achslast (P-Version)



Efficienza frenante (versioni P)
Brake efficiency (P version)
Bremsseffizienz (P-Version)



VARRT102/4WDMAN

Moderne LED-Anzeige für Wandfixierung sehr gut auch von Weitem zu sehen. Die Elektrobox beinhaltet di Platine mit Mikroprozessor und die Elektrik für den Rollensatz. Diese Anzeige ist ausgelegt für den PKW- bzw Lieferwagen-Rollensatz.

Version (für Rollensatz)	Test	Ergebnis
SPRT003D	2WD Automatischer Testablauf	Bremskraft + Differenz
SPRT003D + VARRT003/4WDMAN (manuelle Umschaltung 2WD/4WD)	2WD/4WD Automatischer Testablauf	Bremskraft + Differenz
SPRT003D + VARRT102/4WDAUT (automatische Allraderkennung 2WD/4WD)	2WD/4WD Automatischer Testablauf	Bremskraft + Differenz
SPRT003D + SRT056/003D (Fernbedienung)	2WD/4WD Steuerung über Fernbedienung	Bremskraft + Differenz + Radunrundheit
Wie oben + SRT138 (Druckereinheit) oder SRT137 (Kit zur Benutzung Fremdrunder)		Wie oben + Ausdruck
SPRT003D + SRT056/003D (Fernbedienung) + Rollensatz P-Version (mit Waage)	2WD/4WD Steuerung über Fernbedienung	Bremskraft + Differenz + Radunrundheit + Bremsseffizienz
Wie oben + SRT138 (Druckereinheit) Oder SRT137 (Kit zur Benutzung Fremdrunder)		Wie oben + Ausdruck

PRO-LANE

DIGITAL

Banco prova freni

Stand alone brake tester

Pkw-bremsenprüftester



COMPANY WITH
QUALITY SYSTEM
CERTIFIED BY DNV GL
= ISO 9001 =

Banco provafreni a rulli
Roller brake tester
Rollenbremsenprüfstand

	F	P	PF	Motorizzazione Motor-drive Antriebsleistung	Forza frenante massima Max. brake force Max. Bremskraft
SPRT102/4	SPRT102/4F	SPRT102/4P	SPRT102/4PF	3,5 + 3,5 kW	4000 N
SPRT095N	-	SPRT095P	-	4 + 4 kW	5000 N
SPRT102N	SPRT102/6F	SPRT102P	SPRT102/6PF	4,7 + 4,7 kW	6000 N
SPRT102/7	SPRT102/7F	SPRT102/7P	SPRT102/7PF	5,5 + 5,5 kW	7500 N

Models

F	Motori autofrenanti Self-braking motors	Bremsmotore
P	Sistema di pesatura integrato Integrated weighing system	Eingebautes Wiegesystem



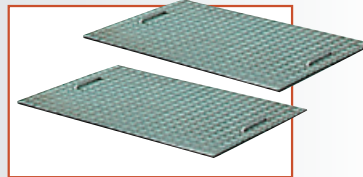
Option



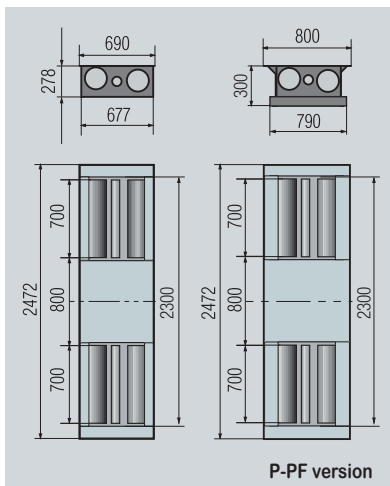
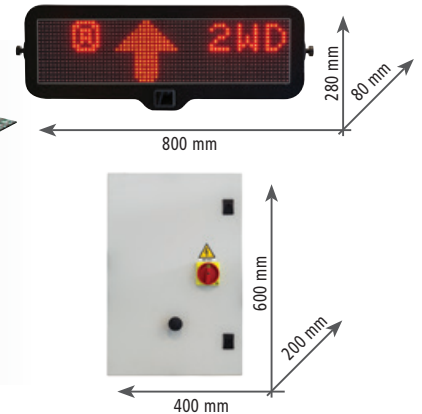
SRT074D
Supporto murale
Wall bracket
Wandhalter



SRT056/003D
Comando a distanza
Remote control
Fernbedienung



SRT046L
Set coperture carrabili
Set of drive-through covers
Satz Abdeckbleche



Dati tecnici	Technical data	Technische daten		SPRT102/4	PFB035	PFB040 SPRT102/6	SPRT102/7
Peso max di prova per asse	Max. test weight per axis	Max. Prüfgewicht je Achse	kg	2500			
Peso max al passaggio per asse	Max. transit weight per axis	Max. Überfahrlast je Achse	kg	4000			
Forza frenante massima	Max. braking force	Max. Bremskraft	N	4000	5000	6000	7500
Precisione celle di carico	Load cells accuracy	Sensoren Genauigkeit	%	± 0,1			
Velocità periferica rulli	Test speed	Prüfgeschwindigkeit	km/h	5,2			
Motori	Motors	Motoren	kW	2x3,5	2x4	2x4,7	2x5,5
Diametro dei rulli	Roller diameter	Rollendurchmesser	mm	205			
Coefficiente di aderenza	Coefficient of friction	Reibungskoeffizient		> 0,7			
Alimentazione	Power supply	Stromversorgung		400 V 50 Hz 3 Ph			

SPACE s.r.l. a s.u.

Via Sangano, 48
10090 Trana - Torino - ITALY
tel. +39-011-934.40.300
fax +39-011-933.88.64
e-mail: info@spacetest.com
www.spacetest.com

Le caratteristiche tecniche e gli allestimenti presentati in questo prospetto possono subire variazioni. Le immagini riprodotte non sono vincolanti.

Technical data and composition presented in this catalogue may vary.
Pictures reproduced are only indicative.

Die techn. Daten und die Ausrüstungen, die in diesem Prospekt enthalten sind, können Änderungen erfahren. Deshalb sind die Abbildungen unverbindlich.

CE DTT03D (01)